

Energizer.
LIGHT
on Demand[™] Desk Light

Thank You!

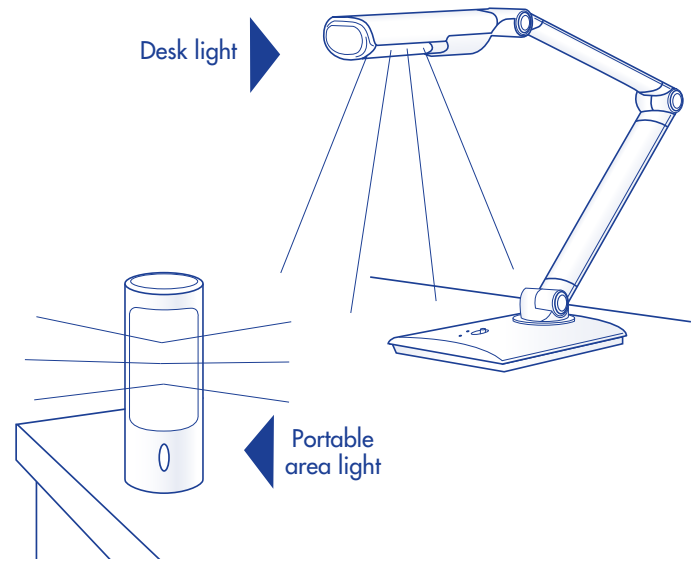
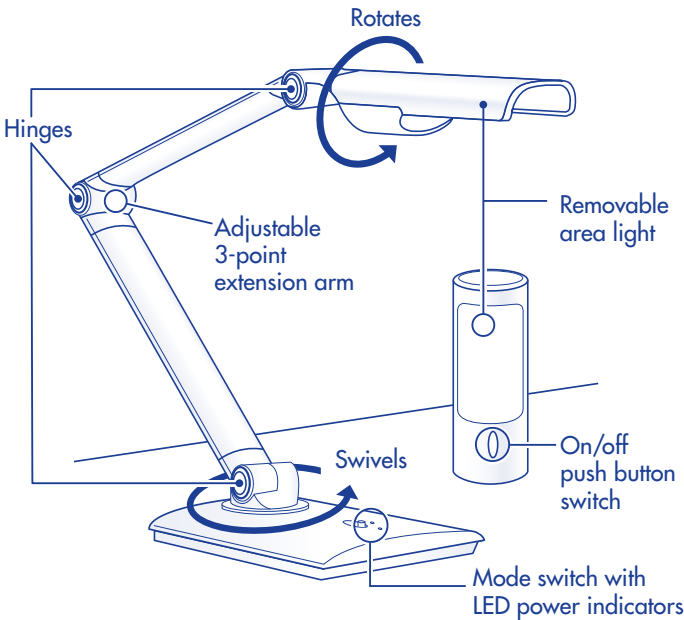
We hope you enjoy your new Energizer® Light on Demand™ Desk Light. It has been designed to provide you with light wherever you need it, in everyday use and during emergencies. The following instructions will tell you all you need to know to gain the most satisfaction from your new light.

Package Contents:

- 1 Desk light
- 1 Area light stick
- 1 Rechargeable battery pack (in light)
- 1 AC adaptor

Desk Light

Multiple Uses



Basic Operation

Daily Use

For light, set the mode switch on the base of the light to HIGH ☀️ or LOW 🌙. The glowing green LED indicates that the unit is drawing power from your home and the light stick is charging.

Power Emergency

To ensure instant light during a power outage, be sure the mode switch is on AUTO. For your safety and peace of mind, when power goes out, the light turns on and remains lit until power returns (or batteries run down). If light is not required during a power outage, you can turn the switch to OFF ● to conserve battery life. When set to AUTO and the power is on, the amber LED glows on the light base and the light stick charges as normal.

Portable Area Light

To use the light stick as an area light, remove from the head of the light and press the push button switch 1 time for LOW 🌙 area light mode; 2 times for HIGH ☀️ area light mode. Return to the head of the light after use to recharge.

Nightlight

To use the desk light as a nightlight, set the mode switch on the base of the light to LOW 🌙; the low powered LED in the main unit will light. The light stick will continue to charge during this time.

Hinge Adjustment

Screws in the three hinges may be tightened with a Phillips screwdriver if the hinges become loose. Do not overtighten the screws.



Energizer® Light on Demand™ sticks require an initial 16 hour charge time.

Extended Use

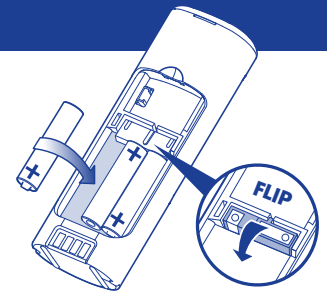
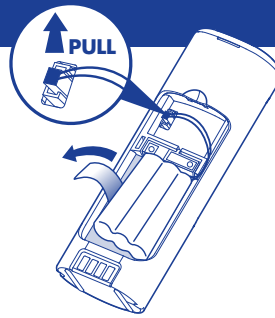
To keep the light stick fully charged, return it to the head of the light after portable use. While connected to the light, it will recharge whether the mode switch is set to AUTO, OFF ●, LOW ☀ or HIGH ☀ (as long as power is present).

Using Alkaline Batteries

In the event of a prolonged power outage, you can use regular AAA Energizer® Max® alkaline batteries in your Energizer® Light on Demand™ stick.



However, when power returns, REMOVE THE ALKALINE BATTERIES and replace the rechargeable battery pack in order to recharge. The dock will NOT recharge regular alkaline batteries. (See warning on page 3.)

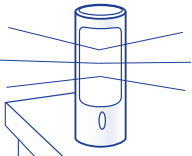


To Insert Alkaline Batteries:

1. Remove the back of the light stick to access the rechargeable battery pack.
2. Pull the white ribbon to remove the rechargeable battery pack and pull up on the wire connection to disconnect from the light stick.
3. Flip the contact holder so the metal contacts face down.
4. Insert 3 AAA size alkaline batteries as indicated.
5. Replace the back of light stick. Do not throw away the rechargeable battery pack; re-insert when the power returns.

Run Time

Using Rechargeable Battery Pack

	Area Light (High Mode)
	3 Continuous Hours

	Area Light (Low Mode)
	20 Continuous Hours

Using 3 AAA Alkaline Batteries

	Area Light (High Mode)
	12 Continuous Hours

	Area Light (Low Mode)
	45 Continuous Hours

Energizer® Light on Demand™ A Family of Innovative Lighting Solutions



Warranty

ONE YEAR LIMITED WARRANTY: Warranty covers any defect in material or workmanship for up to one year. It excludes damage caused by normal wear and tear, misuse, modification. Warranty applies only to the original U.S. or Canadian purchaser of the Light on Demand Product. Warranty terminates if you sell or transfer Product(s). Energizer will repair or replace Product(s) at its option. Call 1-800-383-7323 for warranty service. Warranty is limited to consumer use. EXCLUDES ALL INCIDENTAL AND CONSEQUENTIAL DAMAGES, SOME JURISDICTIONS DO NOT ALLOW THE EXCLUSION OR LIMITATION OF INCIDENTAL OR CONSEQUENTIAL DAMAGES, SO THE ABOVE LIMITATION OR EXCLUSION MAY NOT APPLY TO YOU. WARRANTY GIVES YOU SPECIFIC LEGAL RIGHTS, AND YOU MAY HAVE OTHER RIGHTS WHICH VARY BY JURISDICTION. Energizer Holdings, Inc., St. Louis, MO 63141. Energizer Canada, Inc., Walkerton, Ontario N0G 2V0.

BATTERY WARNING: (1) Keep away from children. If swallowed, promptly see doctor; have doctor phone (202) 625-3333 collect. (2) Do not install backwards, charge, put in fire or mix with other battery types. May explode or leak causing injury. **Replace all batteries at the same time.**

Energizer

Mfd. for: Energizer Holdings, Inc.
St. Louis, MO 63141

Energizer, Energizer Light on Demand,
Energizer Bunny design, and other
marks are trademarks of Energizer.



ENERGY STAR® is a Federal initiative created by the U.S. Environmental Protection Agency and the U.S. Department of Energy to help consumers identify and purchase quality products that meet strict energy-saving guidelines. These products help protect the environment by conserving energy and help consumers save money on energy bills. Energizer is proud to be a voluntary ENERGY STAR partner and proud to introduce this ENERGY STAR product.

Made in China
Patents pending

©2007 Energizer
UPN-122947

www.energizer.com
1-800-383-7323